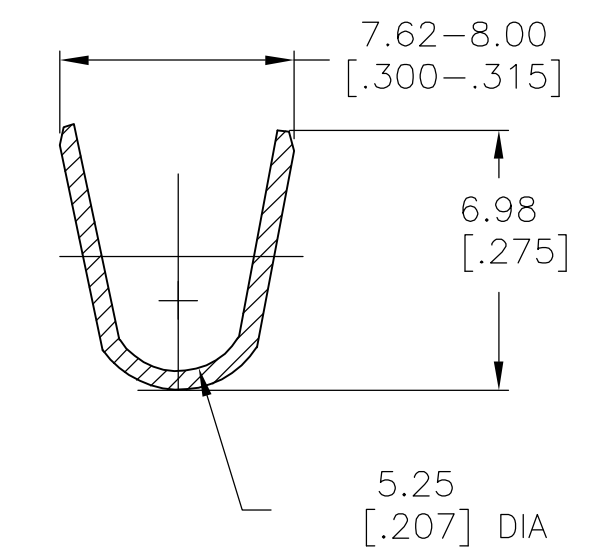
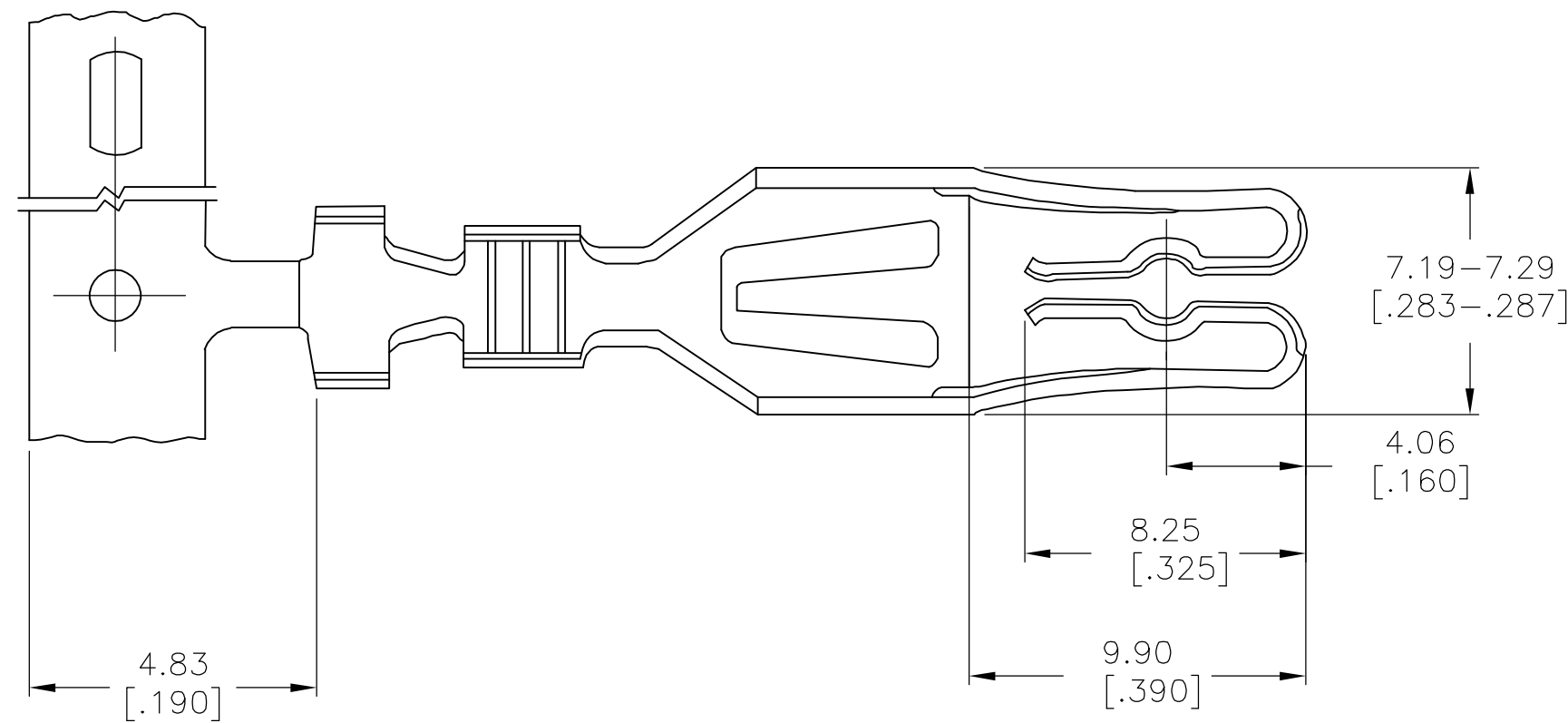
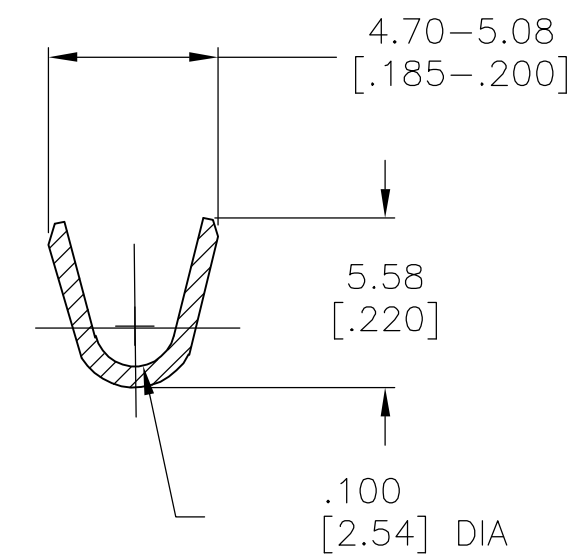


THIS DRAWING IS UNPUBLISHED. RELEASED FOR PUBLICATION
 © COPYRIGHT BY TYCO ELECTRONICS CORPORATION. ALL RIGHTS RESERVED.

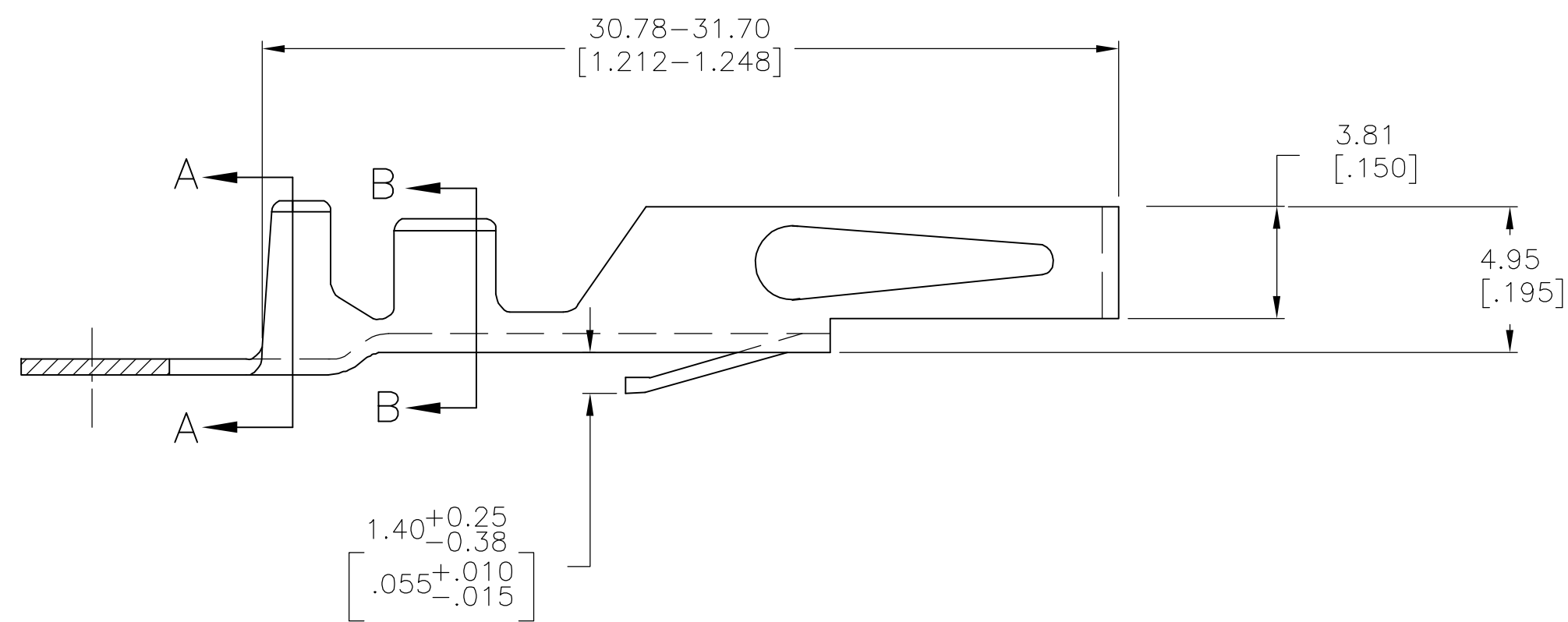
LOC		DIST		REVISIONS			
P	LTR	DATE	DWN	APVD			
AD	00						
	H	EC 0G3C 0067 05	24NOV05	BSV	MM		



INSULATION RANGE 4.06-5.33 [.160-.210] SECTION, A-A



WIRE RANGE 10-12 SECTION, B-B



- 1 0.0038[.000150] BRIGHT TIN OVER 0.00076[.000030] NICKEL
- 2 SILVER PLATE .0038[.000150] MIN THK ALL OVER.
- 3 0.0038[.000150] MATTE TIN OVER 0.00076[.000030] NICKEL

3	5-530519-2
2	530519-3
1	530519-2
FINISH	PART NO

THIS DRAWING IS A CONTROLLED DOCUMENT.		DWN	15 MAY 75	 Tyco Electronics Corporation Harrisburg, Pa 17105-3608
DIMENSIONS: mm [INCHES]		CHK	15 MAY 75	
TOLERANCES UNLESS OTHERWISE SPECIFIED:		APVD	16 MAY 75	
0 PLC ± - 1 PLC ± - 2 PLC ± - 3 PLC ± .005 4 PLC ± - ANGLES ± - FINISH		PRODUCT SPEC		
MATERIAL ALLOY CDA-195 1/2 HARD		WEIGHT	-	NAME
		SIZE A2 CAGE CODE 00779 DRAWING NO C=530519 RESTRICTED TO -		
CUSTOMER DRAWING		SCALE	5:1	SHEET 1 OF 1 REV H